

# OFYR TRAILER



- Perfect cooking unit for your events
- OFYR XL cooking unit on wheels
- Epic meals for up to 150 people
- Fully tested and certified
- Drawbar trailer detachable
- Storage in front and back side
- Detachable wooden blocks on top of the trailer



## TRAILER-01

OFYR TRAILER 01

<b>Material</b>	Base	Corten steel
	Plate	Black steel
	Tabletop	Rubberwood

<b>Dimensions</b>	Plate:	Ø150 cm
	Trailer Base:	150x150 cm
	Trailer Height	109 cm

Tabletop	4x 75x75x3 cm with one round side
	470 kg
	± 0,5 m <sup>3</sup> wood

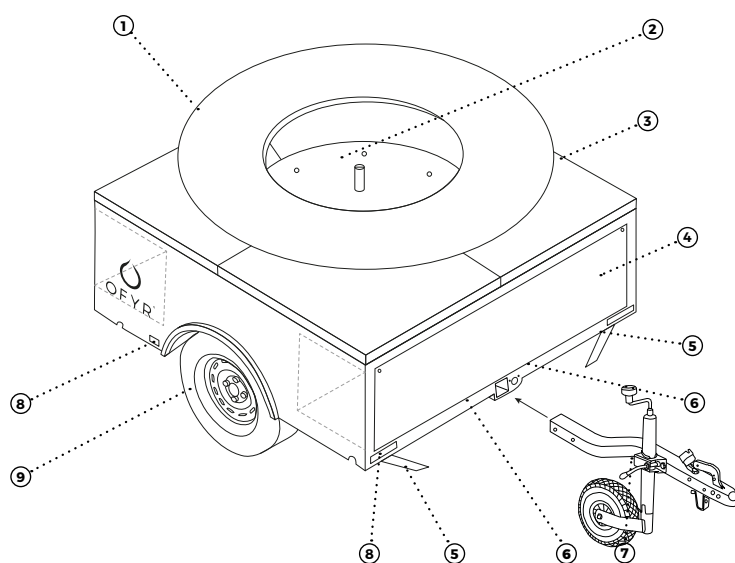
**Weight Storage**

 **WORKING SPACE FOR 2 CHEFS**

 **DRIVERS LICENSE: B**

 **EU-CERTIFIED**

**EAN code** **7436933035094**



1. Drawbar trailer
2. Option to place an umbrella
3. Detachable wooden blocks
4. Storage space; front and back-side of the trailer.
5. Retractable legs
6. Pins to secure the drawbar to the trailer
7. Removable drawbar
8. Reflectors
9. Wheels, 14"